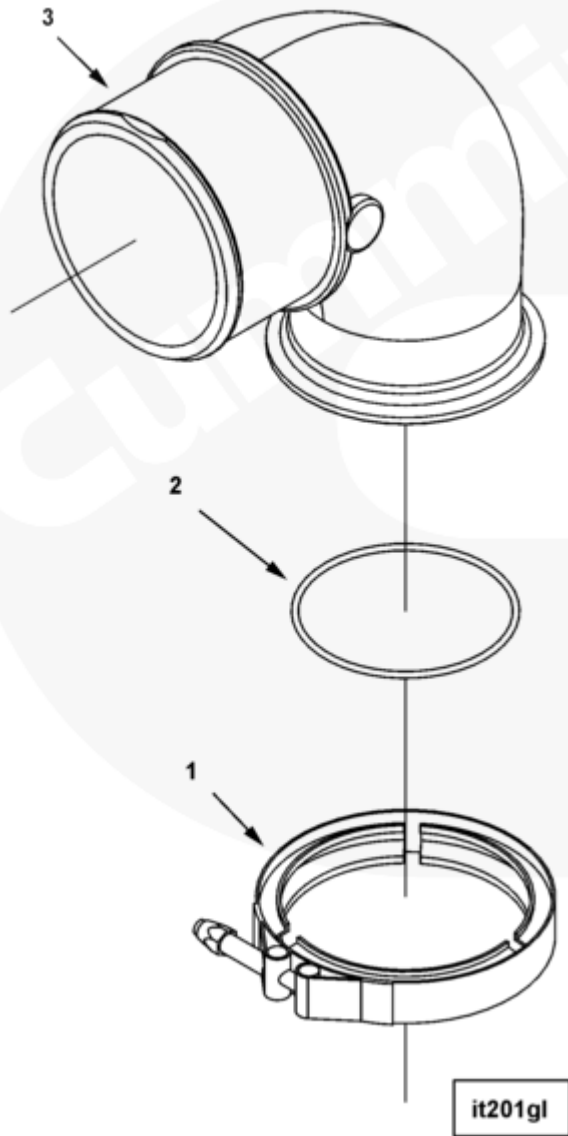




## Parts Catalog - Option Detail

Electronic Parts Catalog - Option Detail				
Option	Group	Graphic	Film Card	Date
IT2017-02	10.01.2	it201gl	II	25-SEP-06
<b>Engines</b>	ISM CM570, ISM CM570/870, ISM CM875, ISM CM876, ISM CM876 E, ISM11 CM876 M103, ISM11 CM876 SN, M11 CELECT, M11 CELECT PLUS, M11 MECHANICAL, QSM11 CM570, QSM11 CM876			

©Cummins Inc



[SMALL](#) | [MEDIUM](#) | [LARGE](#)

We use cookies on this site to enhance your experience.

By clicking any link on this page, you give consent for us to set cookies. For more information, see our [Privacy and Legal page](#).

					TRANSFER
					Engine Family: M11
					Turbo Compressor Outlet
					Connection Type: 90 Degree
					Rotatable Elbow
					Turbo Compressor Outlet
					Connection OD (mm): 101.5
					(4.5 in.)
					Intake Air Pressure Compuchek
					Fitting Inc: No
					Turbo CPR Outlet Connection
					Supplier: Cummins
					Engine Aspiration: Charged
					Air Cooled
<input type="checkbox"/>	1	<a href="#">3067979</a>	V Band Clamp	1	
<input type="checkbox"/>	2	<a href="#">3682177</a>	O-Ring Seal	1	
<input type="checkbox"/>	3	<a href="#">3682674</a>	Air Transfer Connection	1	

© 2019 Cummins Inc., Box 3005, Columbus, IN 47202-3005 U.S.A.  
Terms of Use and Disclaimers | Recommended System Requirements  
Need Assistance? Please click on the Contact Us button in the top right corner of any page.

We use cookies on this site to enhance your experience.

x

By clicking any link on this page, you give consent for us to set cookies. For more information, see our [Privacy and Legal page](#).